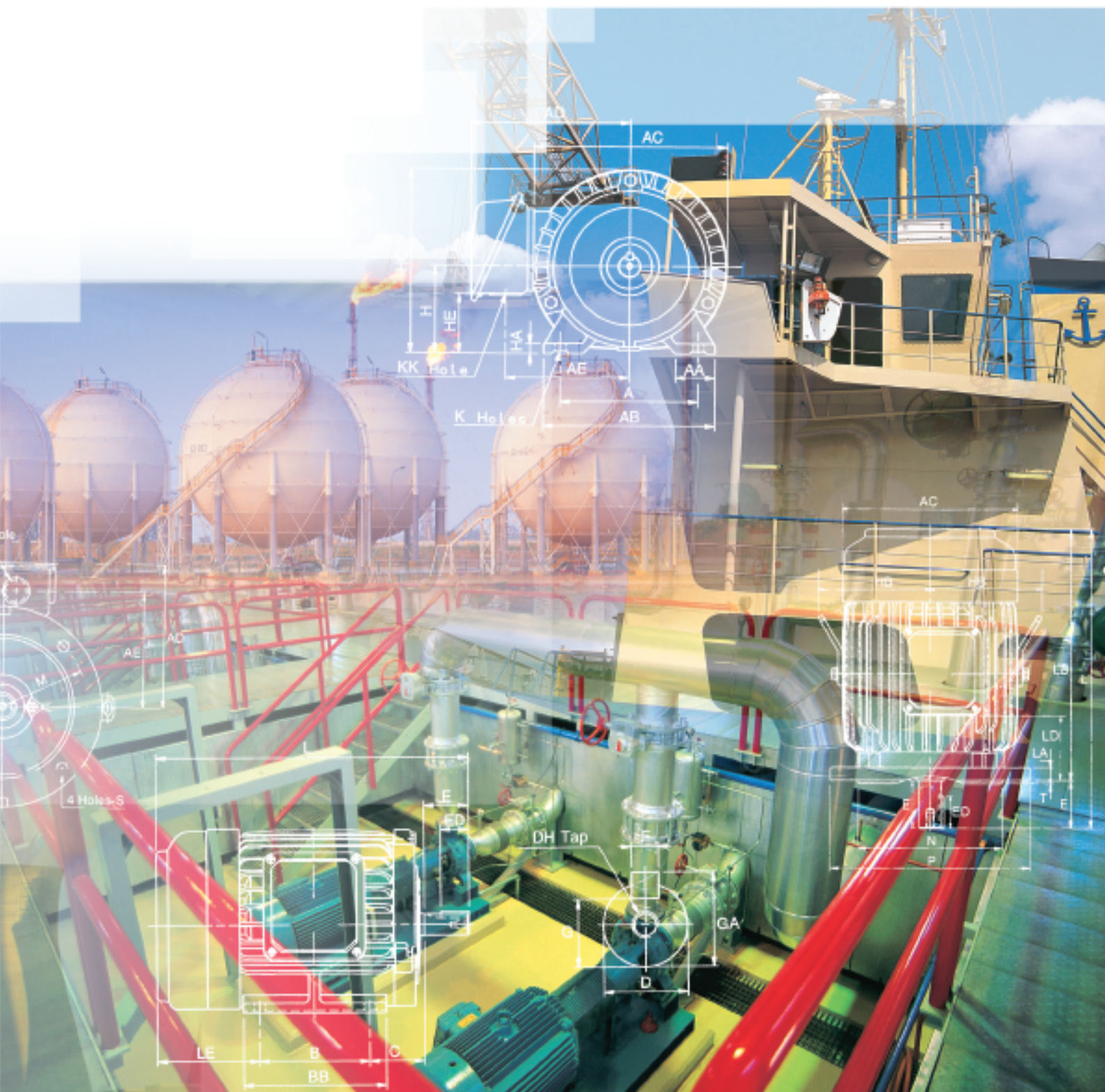




IE4

# NEMA Super Premium Efficiency Motor

— AEHH4E SERIES



● Super Premium (IE4) efficiency

● Low Vibration ● Low Noise



## SPECIFICATION TABLE

| ITEM   |   | STANDARD SPECIFICATION   |
|--|---|--|
| R<br>A<br>T<br>I<br>N<br>G                               | Kind of Motors  | Squirrel Cage Induction Motors ( SCIM ) .  |
|  | Design Standards  | NEMA MG-1, MG-13, IEC 60034-30.  |
|  | Voltages  | 230/460V ( 208V De-Rating Operation ) .  |
|  | Frequency   | 60Hz .   |
|  | Output Range  | 1HP ~ 100HP .  |
|  | R.P.M. (Syn.)   | 3600, 1800 and 1200 R.P.M. ( 2, 4 and 6 Poles ) .  |
|  | Time Duty   | Continuous, S.F. 1.15 .  |
|  | Frame Size  | 143T ~ 405TS .   |
|  | Protection Enclosure  | Totally Enclosed ( IP44 ) .  |
|  | Cooling Method  | Self External Fan, Surface Cooling ( IC 411 ) .  |
| Mounting   | Horizontal Foot Mounting F-1, F-1 and F-2 Interchangeable .                     |  |
| A<br>P<br>P<br>L<br>I<br>C<br>A<br>T<br>I<br>O<br>N      | Power Condition   | Voltage : $\pm 10\%$ , Frequency : $\pm 5\%$ , and $\pm 10\%$ of Combined Voltage and Frequency, But Frequency Variation Does Not Exceed $\pm 5\%$ .   |
|  | Environment Conditions  | Place : Non-Hazardous. Ambient Temperature : $-15^{\circ}\text{C} \sim 40^{\circ}\text{C}$ ,<br>Relative Humidity : Less Than 90%RH ( Non-Condensation ) ,<br>Altitude : Less Than 3,300ft . |
|  | Drive Method  | Belt Service, However for 2 Pole 25HP and Up<br>( TS Frame ) Direct-Coupling Service is the Way.   |
|  | Direction of Rotation   | Bi-Directional .   |
| Method of Starting                                       | Full Voltage Direct On Line , For 7.5HP & Up $\lambda$ - $\Delta$ Be Available. |  |
| C<br>O<br>N<br>S<br>T<br>R<br>U<br>C<br>T<br>I<br>O<br>N | Bearing   | Bracket Mounting, Vacuum De-Gassed High Quality Open Bearing<br>for Frame Size of 284TS and 286TS ~ 405TS ,<br>Grease Pre-Packed Shielded Rolling Bearings for the Others.                   |
|  | Terminal BOX  | Pressed Steel, Larger Size, Can be set $90^{\circ}$ Apart, with Clearance<br>Hole Cable Entrance, F-1 F-2 Interchangeable.   |
|  | Lead Terminal   | 12 Leads, With Solderless Lug Terminals for 7.5HP and Up, 9 Leads<br>for the Others.   |
|  | Stator Insulation   | Class F Insulation System.   |
|  | Painting  | Phenolic Rust Proof Base Plus Lacquer Surface Finished Painting in<br>Blue - Gray Color ( Munsell 7.5B 3.5/0.5 ) .   |
|  | Hardware  | Stainless Steel ISO Metric System.   |
| P<br>E<br>R<br>F<br>O<br>R<br>M<br>A<br>N<br>C<br>E      | Test Procedure  | IEEE-112 Method B and Full Voltage Measuring Starting Performance.   |
|  | Temperature Rise  | Not to Exceed $90^{\circ}\text{C}$ for S.F.1.15 or $80^{\circ}\text{C}$ for S.F.1.0 by Resistance<br>Method.   |
|  | Over Speed  | 125% Syn. R.P.M. for Two Min. ( 2, 4 Poles); 150% Syn. R.P.M. for<br>Two Min. ( the others).   |
|  | Over Torque   | 160% Rated Torque for 15 Sec.  |



# PERFORMANCE DATA

● TEFC, NEMA T-FRAME, DESIGN - B or C, CLASS F,

40°C AMBIENT TEMP., CONTINUOUS DUTY S.F. 1.15,

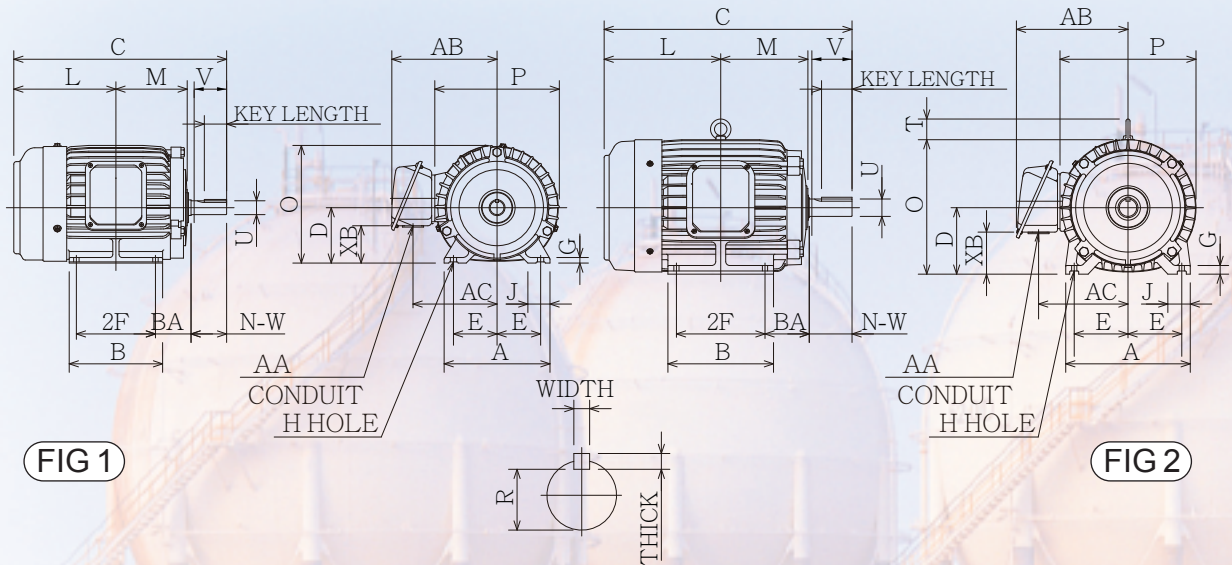
460V 60HZ

| OUTPUT |      | FULL LOAD RPM | FRAMR NO. | EFFICIENCY    |              |              | POWER FACTOR  |              |              | CURRENT       |                  | TORQUE         |                   |              |                 | ROTOR WK <sup>2</sup> lb-ft <sup>2</sup> |
|--------|------|---------------|-----------|---------------|--------------|--------------|---------------|--------------|--------------|---------------|------------------|----------------|-------------------|--------------|-----------------|--|
| HP     | kW   |               |           | FULL LOAD (%) | 3/4 LOAD (%) | 1/2 LOAD (%) | FULL LOAD (%) | 3/4 LOAD (%) | 1/2 LOAD (%) | FULL LOAD (A) | LOCKED ROTOR (A) | FULL LOAD kg-m | LOCKED ROTOR %FLT | PULL UP %FLT | BREAK DOWN %FLT |  |
| 1      | 0.75 | 3490          | 143T      | 85.0          | 85.0         | 82.0         | 83.0          | 77.0         | 65.0         | 1.33          | 15               | 1.504          | 495               | 435          | 480             | 0.045                                    |
|        |      | 1750          | 143T      | 87.4          | 87.0         | 85.0         | 79.0          | 71.0         | 57.0         | 1.36          | 15               | 3.000          | 340               | 250          | 400             | 0.103                                    |
|        |      | 1160          | 145T      | 84.7          | 84.0         | 81.0         | 64.5          | 55.5         | 43.0         | 1.71          | 15               | 4.526          | 265               | 210          | 320             | 0.136                                    |
| 1.5    | 1.1  | 3485          | 143T      | 87.0          | 87.5         | 86.0         | 86.5          | 81.0         | 71.0         | 1.87          | 20               | 2.260          | 445               | 390          | 450             | 0.059                                    |
|        |      | 1745          | 145T      | 88.3          | 88.0         | 87.0         | 80.5          | 73.0         | 60.0         | 1.98          | 20               | 4.513          | 330               | 240          | 380             | 0.122                                    |
|        |      | 1170          | 182T      | 89.2          | 88.0         | 85.0         | 62.0          | 54.0         | 41.5         | 2.54          | 20               | 6.731          | 230               | 230          | 435             | 0.349                                    |
| 2      | 1.5  | 3475          | 145T      | 87.5          | 88.0         | 87.0         | 87.0          | 82.0         | 71.5         | 2.46          | 25               | 3.022          | 405               | 355          | 410             | 0.064                                    |
|        |      | 1745          | 145T      | 88.4          | 88.0         | 86.0         | 77.0          | 69.0         | 55.0         | 2.75          | 25               | 6.018          | 365               | 265          | 405             | 0.136                                    |
|        |      | 1170          | 184T      | 90.1          | 89.0         | 87.0         | 65.0          | 57.0         | 45.0         | 3.20          | 25               | 8.975          | 210               | 210          | 400             | 0.460                                    |
| 3      | 2.2  | 3510          | 182T      | 89.5          | 90.0         | 90.0         | 89.5          | 86.5         | 78.5         | 3.51          | 32               | 4.488          | 290               | 275          | 375             | 0.190                                    |
|        |      | 1755          | 182T      | 90.9          | 91.0         | 90.0         | 78.5          | 71.5         | 59.0         | 3.94          | 32               | 8.975          | 270               | 240          | 380             | 0.401                                    |
|        |      | 1175          | 213T      | 90.9          | 90.0         | 88.0         | 77.5          | 70.5         | 58.0         | 3.99          | 32               | 13.41          | 215               | 185          | 380             | 0.918                                    |
| 5      | 3.7  | 3500          | 184T      | 90.5          | 91.5         | 92.0         | 91.0          | 89.0         | 83.0         | 5.68          | 46               | 7.501          | 255               | 240          | 340             | 0.272                                    |
|        |      | 1755          | 184T      | 90.9          | 91.0         | 90.0         | 79.5          | 73.0         | 61.0         | 6.48          | 46               | 14.96          | 255               | 225          | 360             | 0.474                                    |
|        |      | 1170          | 215T      | 91.0          | 91.0         | 90.0         | 80.0          | 74.0         | 63.0         | 6.43          | 46               | 22.44          | 200               | 160          | 330             | 1.224                                    |
| 7.5    | 5.5  | 3525          | 213T      | 91.5          | 92.0         | 91.5         | 86.0          | 83.5         | 76.5         | 8.92          | 64               | 11.17          | 195               | 150          | 270             | 0.412                                    |
|        |      | 1765          | 213T      | 92.9          | 92.5         | 92.0         | 82.5          | 78.0         | 68.0         | 9.17          | 64               | 22.31          | 235               | 190          | 310             | 0.924                                    |
|        |      | 1175          | 254T      | 92.2          | 91.5         | 91.0         | 79.0          | 74.0         | 64.0         | 9.64          | 64               | 33.51          | 285               | 240          | 275             | 2.657                                    |
| 10     | 7.5  | 3520          | 215T      | 92.0          | 93.0         | 92.5         | 86.5          | 84.0         | 78.0         | 11.8          | 81               | 14.92          | 200               | 150          | 260             | 0.512                                    |
|        |      | 1765          | 215T      | 92.9          | 93.0         | 92.5         | 84.0          | 80.5         | 71.5         | 12.0          | 81               | 29.75          | 230               | 190          | 290             | 1.082                                    |
|        |      | 1175          | 256T      | 92.5          | 92.0         | 91.5         | 80.5          | 75.5         | 65.5         | 12.6          | 81               | 44.69          | 280               | 240          | 270             | 3.487                                    |
| 15     | 11   | 3545          | 254T      | 92.6          | 93.0         | 92.5         | 91.0          | 89.0         | 84.0         | 16.7          | 116              | 22.22          | 200               | 150          | 275             | 1.141                                    |
|        |      | 1770          | 254T      | 93.6          | 94.0         | 93.5         | 86.5          | 84.5         | 76.5         | 17.3          | 116              | 44.50          | 210               | 160          | 250             | 2.349                                    |
|        |      | 1175          | 284T      | 92.9          | 93.0         | 92.5         | 82.0          | 78.5         | 69.0         | 18.4          | 116              | 67.03          | 250               | 200          | 250             | 6.824                                    |
| 20     | 15   | 3535          | 256T      | 92.2          | 93.0         | 93.0         | 91.0          | 90.0         | 86.0         | 22.3          | 145              | 29.71          | 200               | 150          | 240             | 1.407                                    |
|        |      | 1770          | 256T      | 94.0          | 94.5         | 94.0         | 87.0          | 85.0         | 77.5         | 22.9          | 145              | 59.33          | 205               | 160          | 240             | 3.002                                    |
|        |      | 1175          | 286T      | 92.9          | 93.0         | 93.0         | 83.0          | 79.0         | 70.0         | 24.3          | 145              | 89.37          | 245               | 195          | 240             | 8.340                                    |
| 25     | 18.5 | 3535          | 284TS     | 92.9          | 93.5         | 93.0         | 92.0          | 92.5         | 88.5         | 27.4          | 183              | 37.13          | 200               | 150          | 240             | 1.735                                    |
|        |      | 1775          | 284T      | 94.5          | 94.0         | 94.0         | 86.0          | 81.5         | 77.0         | 28.8          | 183              | 73.95          | 215               | 165          | 245             | 4.586                                    |
|        |      | 1185          | 324T      | 94.2          | 94.0         | 93.5         | 86.0          | 83.5         | 76.0         | 28.9          | 183              | 110.8          | 220               | 175          | 240             | 17.246                                   |
| 30     | 22   | 3535          | 286TS     | 93.0          | 94.0         | 93.5         | 92.0          | 93.0         | 89.0         | 32.8          | 218              | 44.56          | 200               | 150          | 230             | 1.959                                    |
|        |      | 1775          | 286T      | 94.5          | 94.5         | 94.5         | 86.5          | 82.0         | 79.0         | 34.4          | 218              | 88.74          | 205               | 160          | 230             | 5.503                                    |
|        |      | 1185          | 326T      | 94.5          | 94.5         | 94.0         | 86.0          | 83.5         | 76.0         | 34.6          | 218              | 132.9          | 230               | 180          | 245             | 18.626                                   |
| 40     | 30   | 3560          | 324TS     | 94.1          | 94.0         | 93.5         | 92.0          | 92.0         | 89.0         | 43.3          | 290              | 58.99          | 140               | 125          | 250             | 6.373                                    |
|        |      | 1780          | 324T      | 95.1          | 95.5         | 95.0         | 87.0          | 84.0         | 77.5         | 45.3          | 290              | 118.0          | 205               | 180          | 260             | 10.272                                   |
|        |      | 1185          | 364T      | 95.0          | 95.0         | 95.0         | 85.0          | 83.5         | 76.5         | 46.4          | 290              | 177.2          | 215               | 185          | 240             | 27.044                                   |
| 50     | 37   | 3560          | 326TS     | 94.5          | 94.5         | 94.0         | 92.0          | 92.0         | 89.0         | 53.8          | 363              | 73.74          | 140               | 125          | 250             | 7.044                                    |
|        |      | 1780          | 326T      | 95.4          | 96.0         | 95.0         | 87.0          | 84.5         | 78.0         | 56.4          | 363              | 147.5          | 205               | 180          | 250             | 11.739                                   |
|        |      | 1185          | 365T      | 95.1          | 95.0         | 95.0         | 85.5          | 84.0         | 76.5         | 57.6          | 363              | 221.5          | 220               | 190          | 240             | 31.371                                   |
| 60     | 45   | 3565          | 364TS     | 94.7          | 95.0         | 94.0         | 91.0          | 90.5         | 87.0         | 65.2          | 435              | 88.37          | 135               | 120          | 245             | 7.980                                    |
|        |      | 1780          | 364T      | 95.7          | 95.5         | 95.0         | 89.0          | 87.0         | 81.0         | 66.0          | 435              | 177.0          | 200               | 185          | 255             | 21.481                                   |
|        |      | 1185          | 404T      | 95.4          | 95.5         | 95.0         | 85.0          | 82.0         | 74.0         | 69.3          | 435              | 265.8          | 175               | 160          | 250             | 41.367                                   |
| 75     | 55   | 3570          | 365TS     | 95.0          | 95.0         | 95.0         | 91.0          | 90.5         | 87.0         | 81.2          | 543              | 110.3          | 155               | 135          | 260             | 9.178                                    |
|        |      | 1780          | 365T      | 96.1          | 96.0         | 95.0         | 89.5          | 87.5         | 82.0         | 81.6          | 543              | 221.2          | 200               | 185          | 245             | 25.778                                   |
|        |      | 1185          | 405T      | 95.6          | 95.5         | 95.0         | 85.0          | 82.0         | 73.5         | 86.4          | 543              | 332.3          | 175               | 160          | 250             | 45.647                                   |
| 100    | 75   | 3570          | 405TS     | 95.5          | 96.0         | 95.5         | 90.5          | 90.0         | 86.0         | 108           | 725              | 147.1          | 135               | 120          | 285             | 14.091                                   |
|        |      | 1780          | 405T      | 96.1          | 96.0         | 95.0         | 88.0          | 85.5         | 79.0         | 111           | 725              | 295.0          | 160               | 150          | 260             | 34.124                                   |

**NOTE :**

- 1.The above are typical values based on test according to ANSI / IEEE standard 112 method B.
- 2.Breakdown & locked rotor torques are shown as average expected values.
- 3.Efficiency, power factor, speed and torque are the same for other voltages.  
Current values vary inversely with voltage.
- 4.Efficiency according to IEC 60034-30.
- 5.Tolerance according to NEMA MG1-12 & IEC 60034-1.
- 6.Data subject to change without notice

# Dimension



Dimension in inches

| Output(HP) |          |     | FRAME | FIG. | Mounting |      |      |      | A    | B    | C     | D    | G    | J    | L     | M    | O     | P     |
|------------|----------|-----|-------|------|----------|------|------|------|------|------|-------|------|------|------|-------|------|-------|-------|
| 2P         | 4P       | 6P  | SIZE  | NO.  | E        | 2F   | H    | BA   |      |      |       |      |      |      |       |      |       |       |
| 15         | 1        | —   | 143T  | 1    | 2.75     | 4.00 | 0.34 | 2.25 | 6.70 | 5.10 | 12.47 | 3.50 | 0.35 | 1.40 | 15.96 | 4.00 | 7.45  | 7.87  |
| 2          | 1.5<br>2 | 1   | 145T  |      | 2.75     | 5.00 | 0.34 | 2.25 | 6.70 | 5.90 | 13.46 | 3.50 | 0.35 | 1.40 | 6.46  | 4.50 | 7.45  | 7.87  |
| 3          | 3        | 1.5 | 182T  | 2    | 3.75     | 4.50 | 0.41 | 2.75 | 8.80 | 5.90 | 14.77 | 4.50 | 0.65 | 1.75 | 7.03  | 4.85 | 9.15  | 9.37  |
| 5          | 5        | 2   | 184T  |      | 3.75     | 5.50 | 0.41 | 2.75 | 8.80 | 6.90 | 15.79 | 4.50 | 0.65 | 1.75 | 7.54  | 5.35 | 9.15  | 9.37  |
| 7.5        | 7.5      | 3   | 213T  |      | 4.25     | 5.50 | 0.41 | 3.50 | 9.85 | 6.90 | 18.09 | 5.25 | 0.70 | 1.75 | 8.46  | 6.05 | 10.60 | 10.75 |
| 10         | 10       | 5   | 215T  |      | 4.25     | 7.00 | 0.41 | 3.50 | 9.85 | 8.35 | 19.59 | 5.25 | 0.70 | 1.75 | 9.21  | 6.80 | 10.60 | 10.75 |

| FRAME | T    | Key   |       |        | Keyset | Shaft Extension |       |       | Terminal Housing |      |      |      | Bearing   |           | APPROX. |
|-------|------|-------|-------|--------|--------|-----------------|-------|-------|------------------|------|------|------|-----------|-----------|---------|
|       |      | WIDTH | THICK | LENGTH | R      | N-W             | U     | V     | AA               | AB   | AC   | XB   | DRIVE END | OPPOSITE  | WEIGHT  |
| SIZE  |      |       |       |        |        |                 |       |       |                  |      |      |      |           | DRIVE END | LBS     |
| 143T  | —    | 0.188 | 0.188 | 1.410  | 0.771  | 2.250           | 0.875 | 2.200 | 1.10             | 6.18 | 4.92 | 2.52 | 6205ZZ    | 6205ZZ    | 44      |
| 145T  | —    | 0.188 | 0.188 | 1.410  | 0.771  | 2.250           | 0.875 | 2.200 | 1.10             | 6.18 | 4.92 | 2.52 | 6205ZZ    | 6205ZZ    | 53      |
| 182T  | 1.30 | 0.250 | 0.250 | 1.780  | 0.986  | 2.750           | 1.125 | 2.700 | 1.10             | 7.44 | 6.06 | 3.36 | 6306ZZ    | 6306ZZ    | 81      |
| 184T  | 1.30 | 0.250 | 0.250 | 1.780  | 0.986  | 2.750           | 1.125 | 2.700 | 1.10             | 7.44 | 6.06 | 3.36 | 6306ZZ    | 6306ZZ    | 95      |
| 213T  | 1.65 | 0.312 | 0.312 | 2.410  | 1.201  | 3.380           | 1.375 | 3.300 | 1.38             | 8.86 | 7.07 | 3.32 | 6308ZZ    | 6306ZZ    | 150     |
| 215T  | 1.65 | 0.312 | 0.312 | 2.410  | 1.201  | 3.380           | 1.375 | 3.300 | 1.38             | 8.86 | 7.07 | 3.32 | 6308ZZ    | 6306ZZ    | 176     |

- NOTE :
1. Dimension D tolerance : +0.00 inches, -0.03 inches.
  2. Dimension U tolerance : +0.000 inches, -0.0005 inches.
  3. Dimension R tolerance : +0.000 inches, -0.015 inches.
  4. Dimension V is length of straight part of shaft.



# Dimension

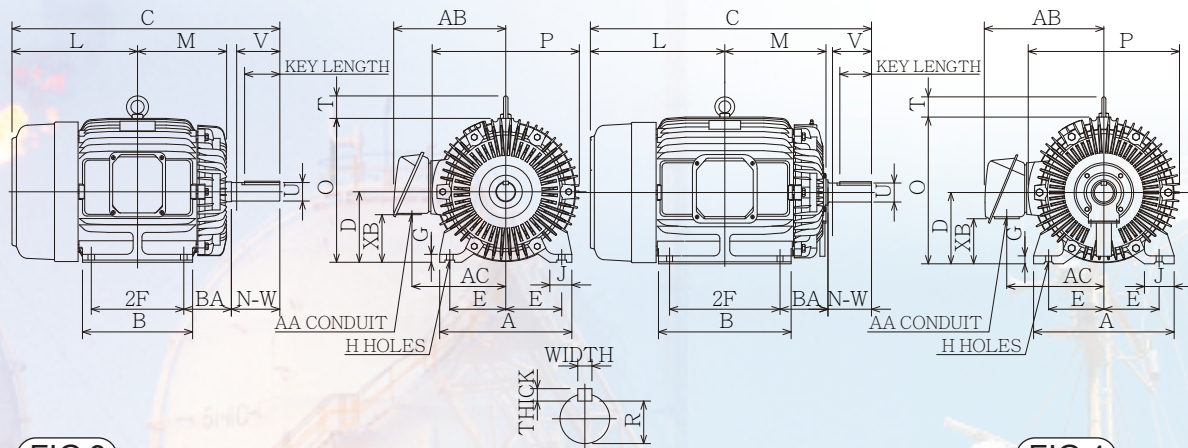


FIG 3

FIG 4

Dimension in inches

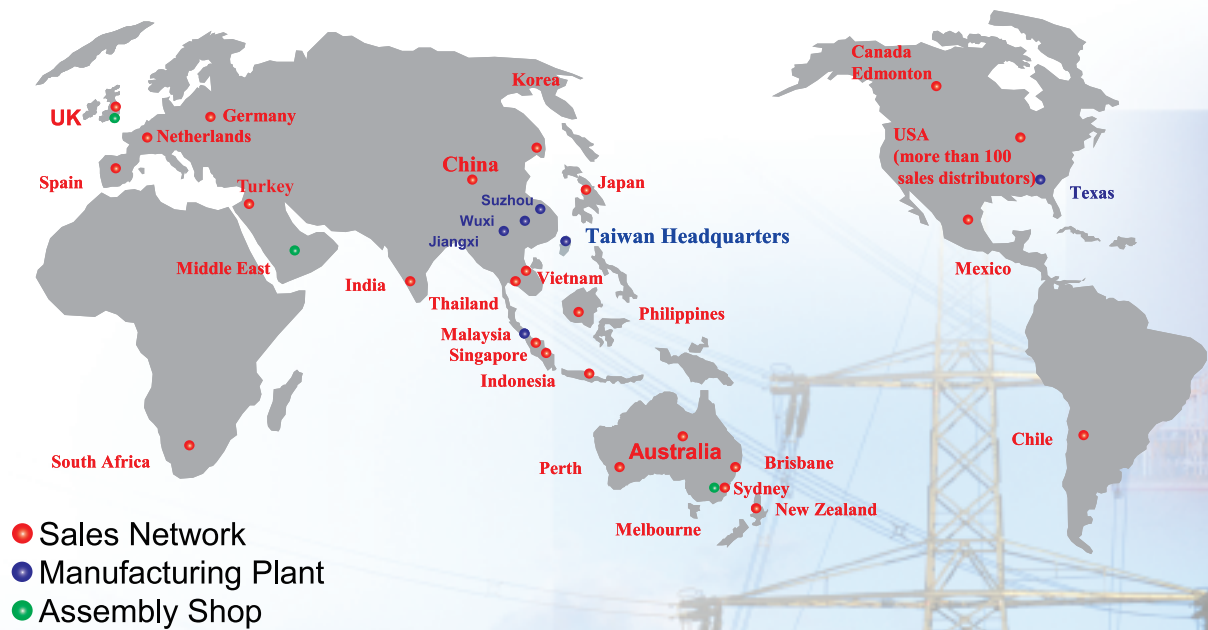
| Output (HP) |     |     | FRAME SIZE | FIG. NO. | Mounting |       |      |       | A     | B     | C     | D     | G    | J     | L     | M     | O     | P     |
|-------------|-----|-----|------------|----------|----------|-------|------|-------|-------|-------|-------|-------|------|-------|-------|-------|-------|-------|
| 2P          | 4P  | 6P  |            |          | E        | 2F    | H    | BA    |       |       |       |       |      |       |       |       |       |       |
| 15          | 15  | 7.5 | 254T       | 3        | 5.00     | 8.25  | 0.53 | 4.25  | 11.80 | 9.85  | 23.60 | 6.25  | 0.65 | 1.95  | 11.23 | 7.98  | 12.80 | 13.15 |
| 20          | 20  | 10  | 256T       |          | 5.00     | 10.00 | 0.53 | 4.25  | 11.80 | 11.80 | 25.34 | 6.25  | 0.65 | 1.95  | 12.09 | 8.86  | 12.80 | 13.15 |
| —           | 25  | 15  | 284T       |          | 5.50     | 9.50  | 0.53 | 4.75  | 14.00 | 11.70 | 26.74 | 7.00  | 0.79 | 2.95  | 12.62 | 9.11  | 14.50 | 15.05 |
| 25          | —   | —   | 284TS      | 4        | 5.50     | 9.50  | 0.53 | 4.75  | 14.00 | 11.70 | 25.37 | 7.00  | 0.79 | 2.95  | 12.62 | 9.31  | 14.50 | 15.05 |
| —           | 30  | 20  | 286T       | 3        | 5.50     | 11.00 | 0.53 | 4.75  | 14.00 | 13.20 | 28.24 | 7.00  | 0.79 | 2.95  | 13.37 | 9.86  | 14.50 | 15.05 |
| 30          | —   | —   | 286TS      | 4        | 5.50     | 11.00 | 0.53 | 4.75  | 14.00 | 13.20 | 26.87 | 7.00  | 0.79 | 2.95  | 13.37 | 10.06 | 14.50 | 15.05 |
| —           | 40  | 25  | 324T       |          | 6.25     | 10.50 | 0.67 | 5.25  | 15.75 | 14.37 | 31.25 | 8.00  | 1.11 | 3.15  | 14.75 | 11.04 | 17.02 | 18.03 |
| 40          | —   | —   | 324TS      |          | 6.25     | 10.50 | 0.67 | 5.25  | 15.75 | 14.37 | 29.75 | 8.00  | 1.11 | 3.15  | 14.75 | 11.04 | 17.02 | 18.03 |
| —           | 50  | 30  | 326T       |          | 6.25     | 12.00 | 0.67 | 5.25  | 15.75 | 15.75 | 32.62 | 8.00  | 1.11 | 3.15  | 15.43 | 11.73 | 17.02 | 18.03 |
| 50          | —   | —   | 326TS      |          | 6.25     | 12.00 | 0.67 | 5.25  | 15.75 | 15.75 | 31.12 | 8.00  | 1.11 | 3.15  | 15.43 | 11.73 | 17.02 | 18.03 |
| —           | 60  | 40  | 364T       |          | 7.00     | 11.25 | 0.67 | 5.88  | 17.70 | 16.34 | 35.03 | 9.00  | 1.32 | 3.55  | 16.39 | 12.56 | 19.04 | 20.08 |
| 60          | —   | —   | 364TS      |          | 7.00     | 11.25 | 0.67 | 5.88  | 17.70 | 16.34 | 32.91 | 9.00  | 1.32 | 3.55  | 16.39 | 12.56 | 19.04 | 20.08 |
| —           | 75  | 50  | 365T       |          | 7.00     | 12.25 | 0.67 | 5.88  | 17.70 | 16.34 | 35.03 | 9.00  | 1.32 | 3.55  | 16.39 | 12.56 | 19.04 | 20.08 |
| 75          | —   | —   | 365TS      |          | 7.00     | 12.25 | 0.67 | 5.88  | 17.70 | 16.34 | 32.91 | 9.00  | 1.32 | 3.55  | 16.39 | 12.56 | 19.04 | 20.08 |
| —           | —   | 60  | 404T       |          | 8.00     | 12.25 | 0.81 | 6.62  | 19.68 | 15.16 | 36.50 | 10.00 | 1.42 | 3.93  | 16.50 | 12.52 | 20.71 | 21.46 |
| —           | 100 | 75  | 405T       | 8.00     | 13.75    | 0.81  | 6.62 | 19.68 | 18.90 | 40.23 | 10.00 | 1.42  | 3.93 | 18.36 | 14.39 | 20.71 | 21.46 |       |
| 100         | —   | —   | 405TS      | 8.00     | 13.75    | 0.81  | 6.62 | 19.68 | 18.90 | 37.23 | 10.00 | 1.42  | 3.93 | 18.36 | 14.39 | 20.71 | 21.46 |       |

| FRAME SIZE | T    | Key   |       |        | Keyseat R | Shaft Extension |       |       | Terminal Housing |       |       |      | Bearings  |                    | APPROX. WEIGHT LBS |
|------------|------|-------|-------|--------|-----------|-----------------|-------|-------|------------------|-------|-------|------|-----------|--------------------|--------------------|
|            |      | WIDTH | THICK | LENGTH |           | N-W             | U     | V     | AA               | AB    | AC    | XB   | DRIVE END | OPPOSITE DRIVE END |                    |
| 254T       | 2.01 | 0.375 | 0.375 | 2.910  | 1.416     | 4.000           | 1.625 | 3.900 | 1.38             | 10.24 | 8.58  | 4.37 | 6309ZZ    | 6307ZZ             | 267                |
| 256T       | 2.01 | 0.375 | 0.375 | 2.910  | 1.416     | 4.000           | 1.625 | 3.900 | 1.38             | 10.24 | 8.58  | 4.37 | 6309ZZ    | 6307ZZ             | 311                |
| 284T       | 2.36 | 0.500 | 0.500 | 3.280  | 1.591     | 4.620           | 1.875 | 4.500 | 2.05             | 12.13 | 9.84  | 4.59 | 6311ZZ    | 6310ZZ             | 399                |
| 284TS      | 2.36 | 0.375 | 0.375 | 1.930  | 1.416     | 3.250           | 1.625 | 3.200 | 2.05             | 12.13 | 9.84  | 4.59 | 6211C3    | 6211C3             | 381                |
| 286T       | 2.36 | 0.500 | 0.500 | 3.280  | 1.591     | 4.620           | 1.875 | 4.500 | 2.05             | 12.13 | 9.84  | 4.59 | 6311ZZ    | 6310ZZ             | 454                |
| 286TS      | 2.36 | 0.375 | 0.375 | 1.930  | 1.416     | 3.250           | 1.625 | 3.200 | 2.05             | 12.13 | 9.84  | 4.59 | 6211C3    | 6211C3             | 430                |
| 324T       | 2.76 | 0.500 | 0.500 | 3.910  | 1.845     | 5.250           | 2.125 | 5.150 | 2.56             | 14.25 | 11.77 | 5.19 | 6312      | 6212               | 728                |
| 324TS      | 2.76 | 0.500 | 0.500 | 2.030  | 1.591     | 3.750           | 1.875 | 3.650 | 2.56             | 14.25 | 11.77 | 5.19 | 6312C3    | 6212C3             | 706                |
| 326T       | 2.76 | 0.500 | 0.500 | 3.910  | 1.845     | 5.250           | 2.125 | 5.150 | 2.56             | 14.25 | 11.77 | 5.19 | 6312      | 6212               | 849                |
| 326TS      | 2.76 | 0.500 | 0.500 | 2.030  | 1.591     | 3.750           | 1.875 | 3.650 | 2.56             | 14.25 | 11.77 | 5.19 | 6312C3    | 6212C3             | 783                |
| 364T       | 2.76 | 0.625 | 0.625 | 4.280  | 2.021     | 5.880           | 2.375 | 5.750 | 3.62             | 16.18 | 13.27 | 6.18 | 6313      | 6213               | 1102               |
| 364TS      | 2.76 | 0.500 | 0.500 | 2.030  | 1.591     | 3.750           | 1.875 | 3.650 | 3.62             | 16.18 | 13.27 | 6.18 | 6312C3    | 6212C3             | 1036               |
| 365T       | 2.76 | 0.625 | 0.625 | 4.280  | 2.021     | 5.880           | 2.375 | 5.750 | 3.62             | 16.18 | 13.27 | 6.18 | 6313      | 6213               | 1175               |
| 365TS      | 2.76 | 0.500 | 0.500 | 2.030  | 1.591     | 3.750           | 1.875 | 3.650 | 3.62             | 16.18 | 13.27 | 6.18 | 6312C3    | 6212C3             | 1098               |
| 404T       | 3.54 | 0.750 | 0.750 | 5.650  | 2.450     | 7.250           | 2.875 | 7.150 | 3.62             | 19.65 | 15.12 | 5.63 | 6317      | 6313               | 1235               |
| 405T       | 3.54 | 0.750 | 0.750 | 5.650  | 2.450     | 7.250           | 2.875 | 7.150 | 3.62             | 19.65 | 15.12 | 5.63 | 6317      | 6313               | 1300               |
| 405TS      | 3.54 | 0.500 | 0.500 | 2.780  | 1.845     | 4.250           | 2.125 | 4.150 | 3.62             | 19.65 | 15.12 | 5.63 | 6313C3    | 6313C3             | 1410               |

- NOTE : 1. Dimension D tolerance : +0.00 inches, -0.03 inches.  
 2. Dimension U tolerance : +0.000 inches, -0.001 inches.  
 3. Dimension R tolerance : +0.000 inches, -0.015 inches.  
 4. Dimension V is length of straight part of shaft.



# TECO



## TECO Electric & Machinery Co. Ltd

10F No,3-1, Yuan Cyu St. Nan-Kang Taipei 115 Taiwan ROC  
 Tel : +886 2 6615 9111 Fax: +886 2 6616 2503 [www.teco.com.tw/fa](http://www.teco.com.tw/fa)

Distributor :